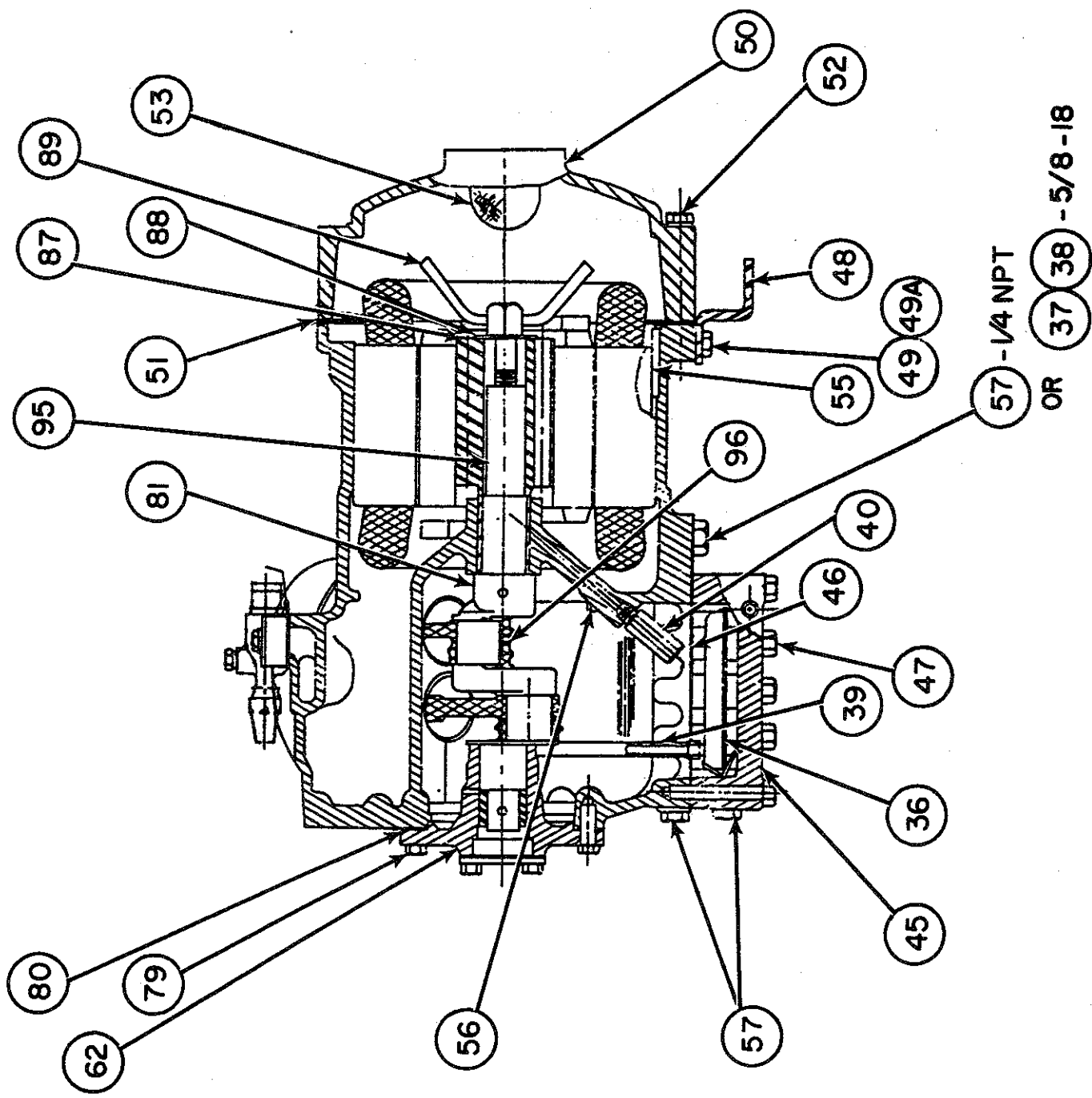


**AIR CONDITIONING
MEDIUM TEMP REFRIGERATION
COMPRESSORS**

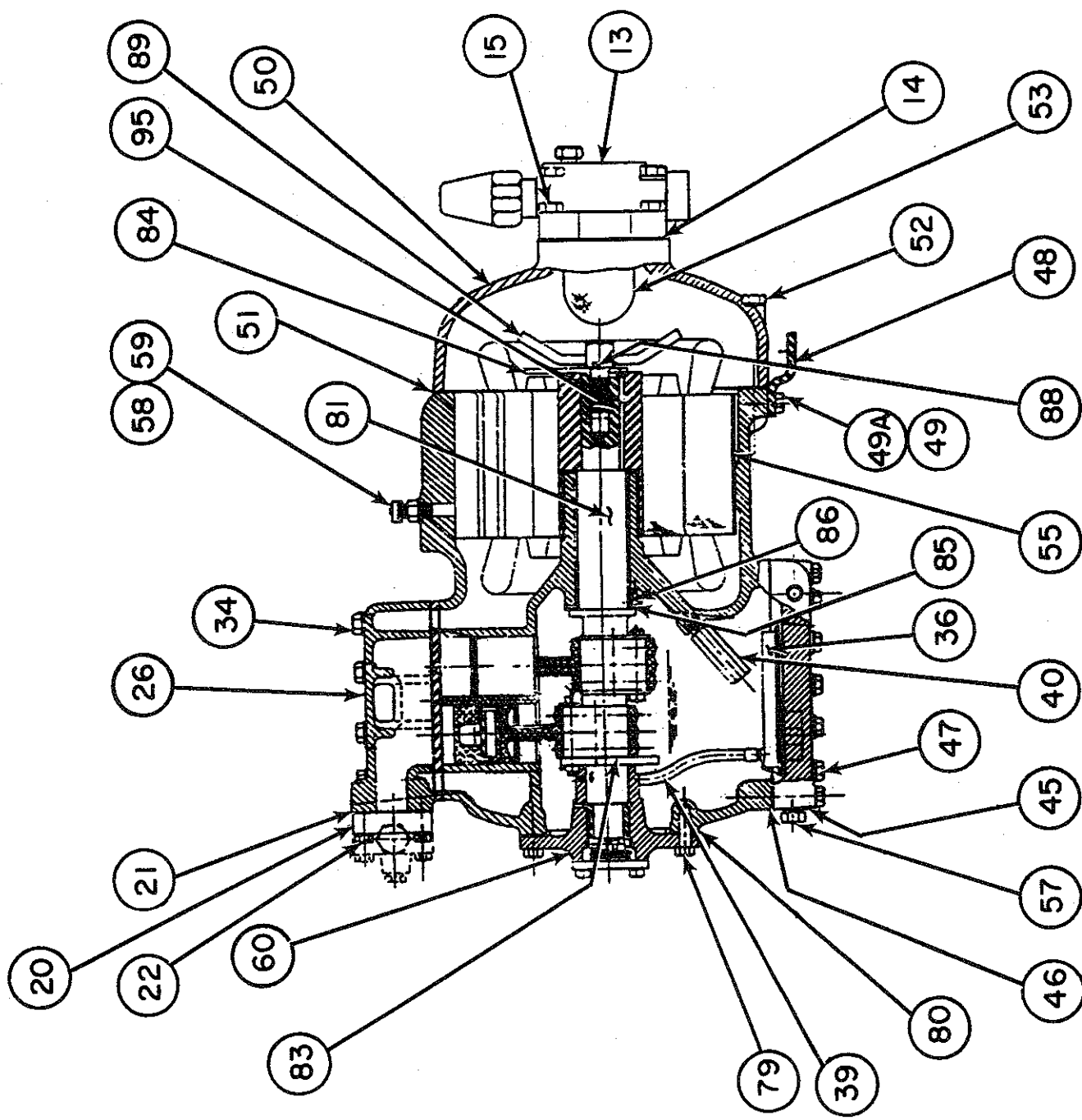
06D



06D () 318, 518, 718, 818
4 CYLINDER

**AIR CONDITIONING
MEDIUM TEMP REFRIGERATION
COMPRESSORS**

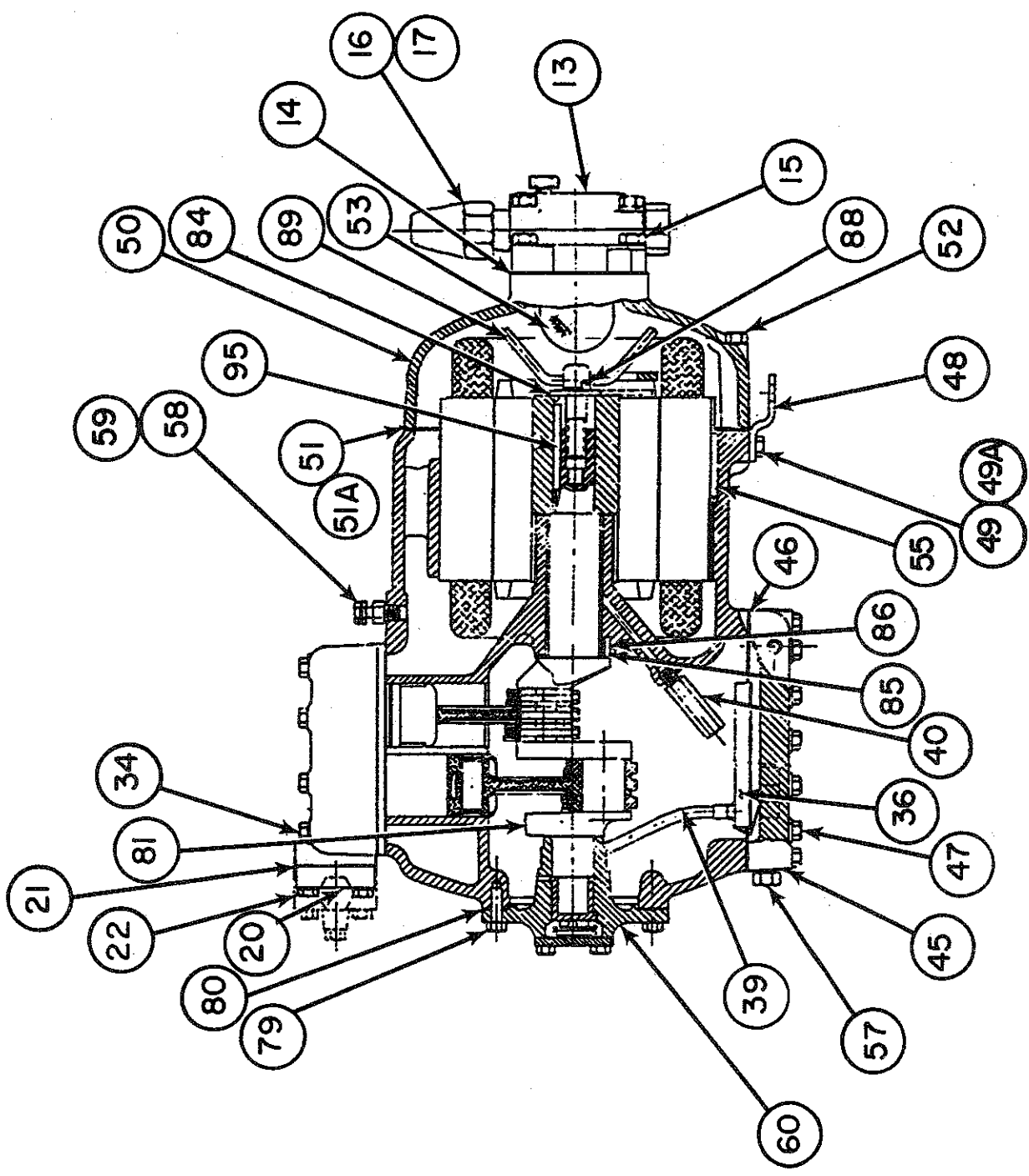
06D



06D () 724 AND 824
6 CYLINDER

AIR CONDITIONING
MEDIUM TEMP REFRIGERATION
COMPRESSORS

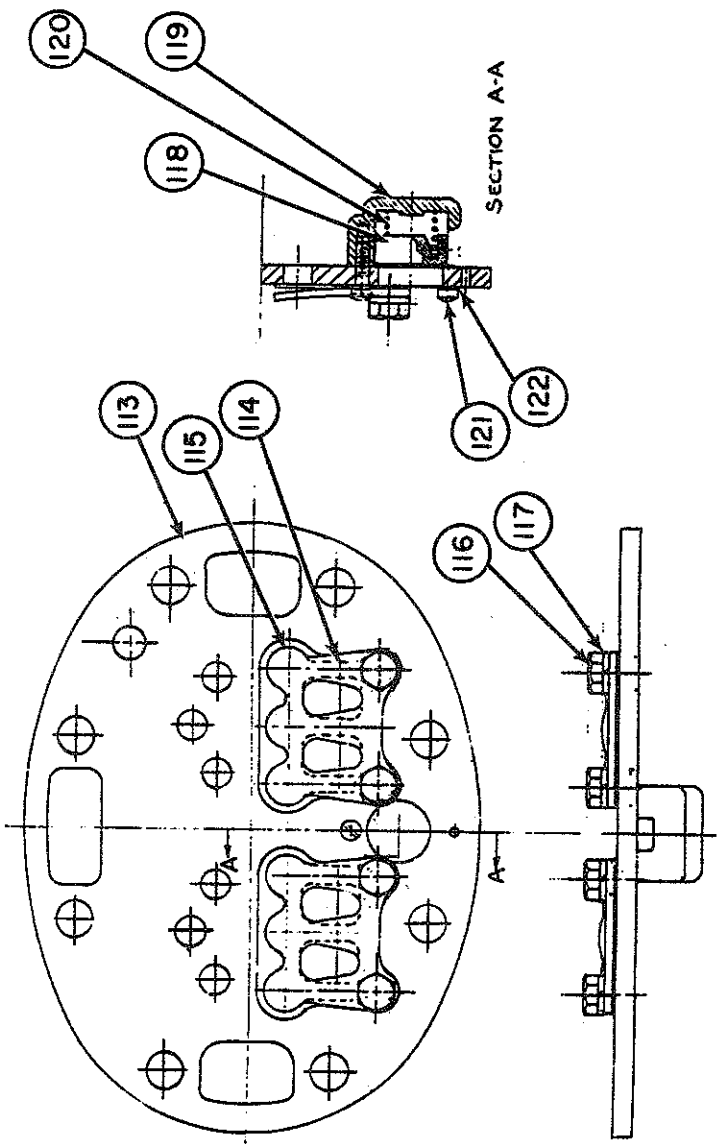
06D



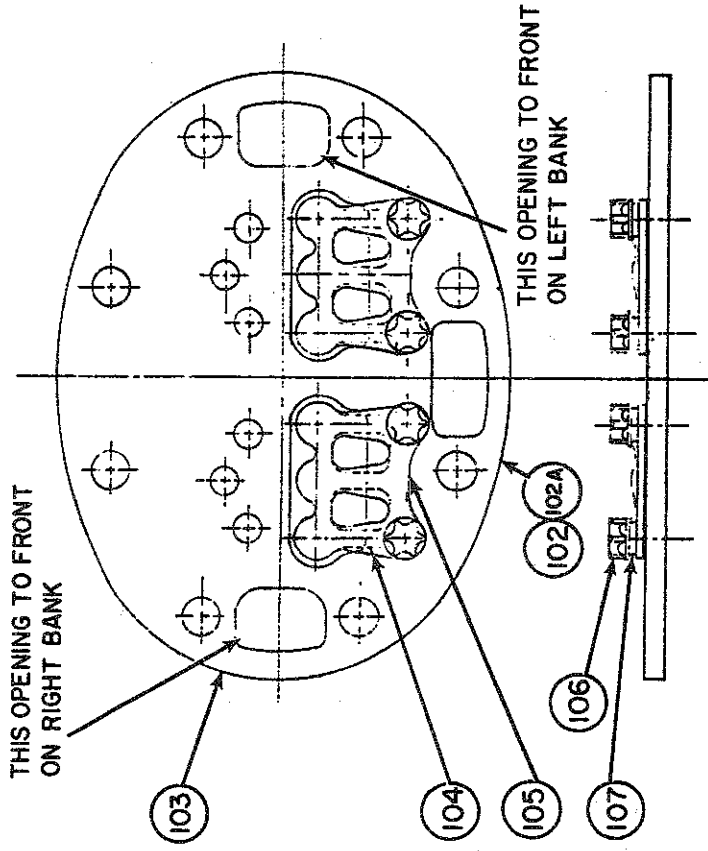
06D () 328, 337, 537
6 CYLINDER

**AIR CONDITIONING
MEDIUM TEMP REFRIGERATION
COMPRESSORS**

06D



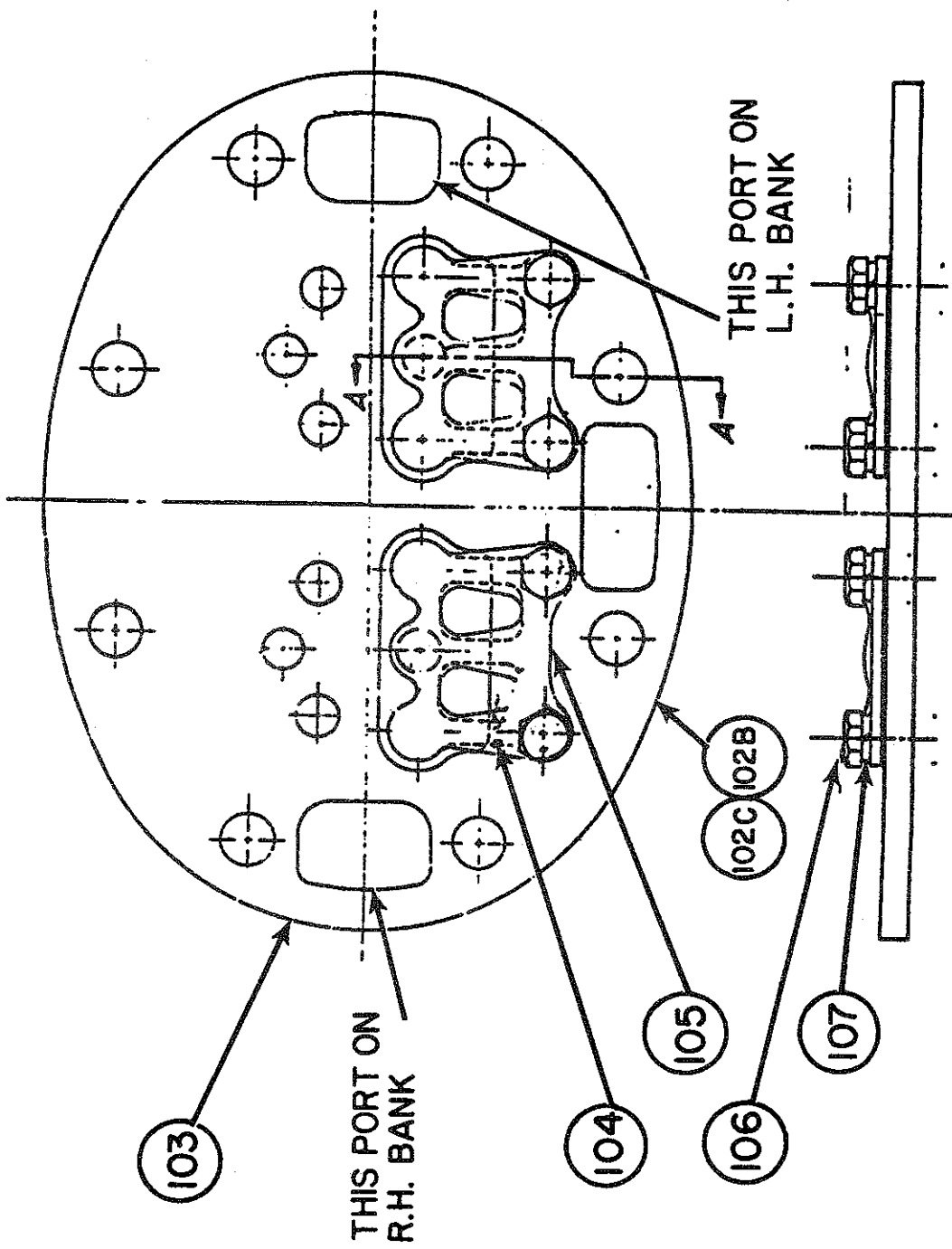
HOT GAS BY-PASS VALVE PLATE



FOR AIR COND. 1.81 BORE

AIR CONDITIONING
MEDIUM TEMP REFRIGERATION
COMPRESSORS

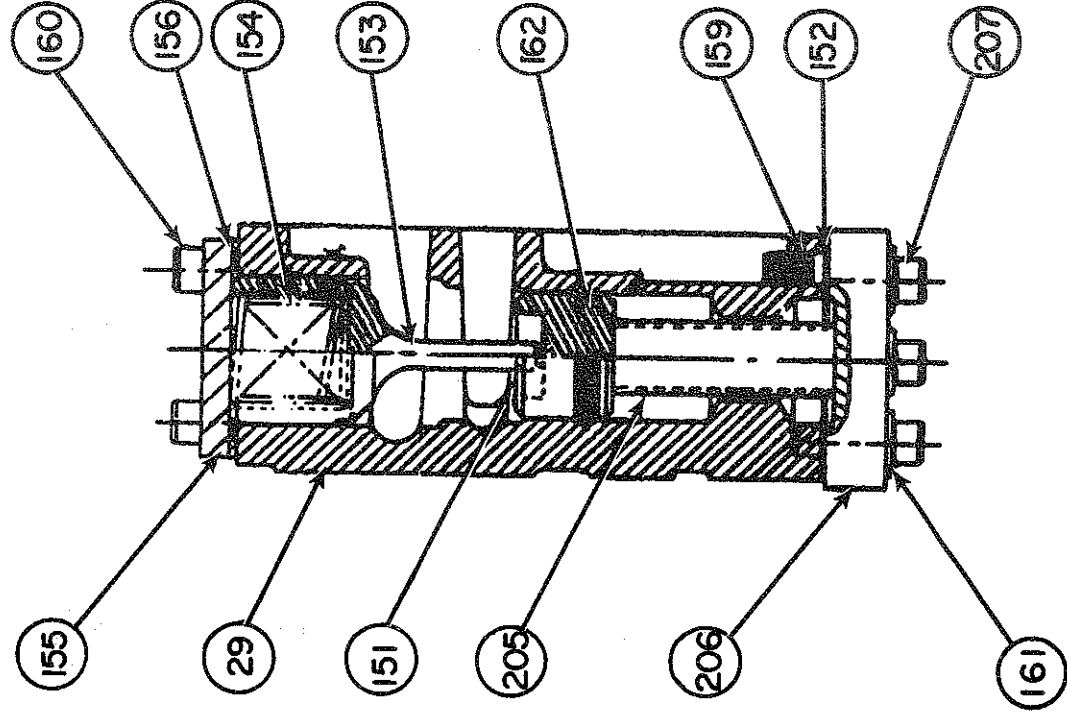
06D



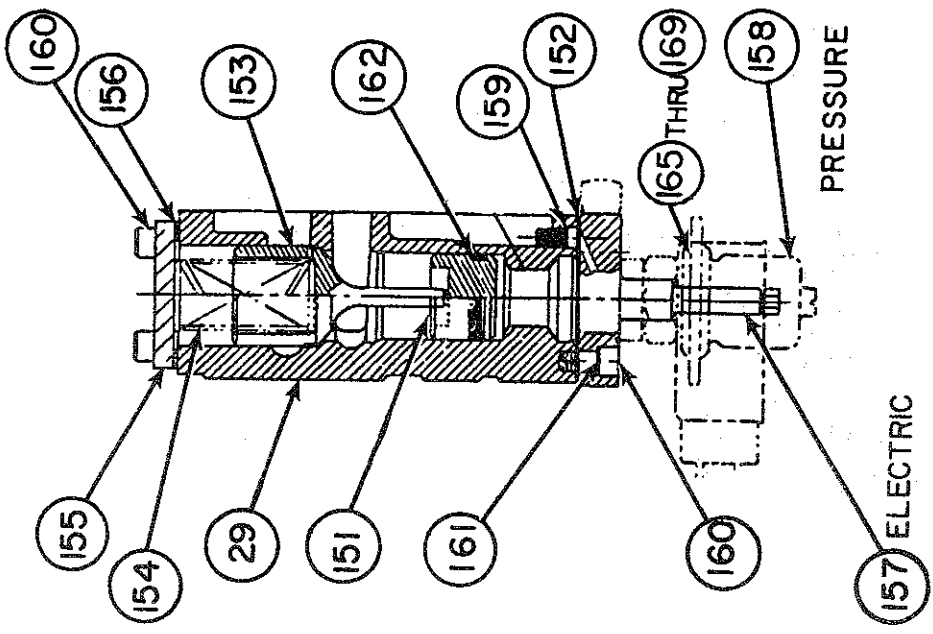
REFRIG. 1.81 BORE 013

AIR CONDITIONING
MEDIUM TEMP REFRIGERATION
COMPRESSORS

06D



SCOU BLOCKING KIT



SUCTION CUTOFF
CYLINDER HEAD ASSY.

AIR CONDITIONING MEDIUM TEMP REFRIGERATION COMPRESSORS

06D

ITEM	PART DESCRIPTION	06DA/DM108 6D23 2 CYL		06DA/DM409 6D24 2 CYL		06DA/DM809 6D24 2 CYL		06DA/DM808 6D28 2 CYL			
		OVERLOAD GROUP									
6 NI VOLTAGE CODE											
	0300 230-1-60		HN69GZ037		HN69GZ048		HN69GZ026				→
	* 0400 200-3-60		(2)HN69GZ007		(2)HN69GZ025		(2)HN69GZ053				(2) →
	* 0500 230-3-60		(2)HN69GZ039		(2)HN69GZ038		(2)HN69GZ037				(2) →
	1200 208/230-3-60		X		X		X				X
	* 0600 400/460-3-50/60		(2)HN69GZ015		(2)HN69GZ032		(2)HN69GZ012				(2) →
	* 0100 575-3-60		(2)HN69GZ012		(2)		(2)HN69GZ011				(2) →
	0800 220-3-50		(2)HN69GZ012		(2)HN69GZ040		(2)HN69GZ014				(2) →
	1300 380-3-60		X		X		X				X
	1400 208-3-60 PW		X		X		X				X
	1500 230-3-60 PW		X		X		X				X
	1800 230-3-50 PW		X		X		X				X
	3100 575-3-60		X		X		X				X
	3200 208/230-3-60 XL		X		X		X				(2)HN69GZ012
	3400 220-3-50 XL		X		X		X				(2)HN69GZ004
	3600 400/460-3-50/60		X		X		X				(2)HN69GZ037
	3900 415-3-50		X		X		X				(2)HN69GZ012
											(2)HN69GZ012
NOTE: * IF ORIG. O/L IS FURNAS, CONTACT RCD FOR HTR OR O/L PART NO..											
9 NI	OVERLOAD SPACER PACKAGE(2PCS)		06DA660077		AS REQUIRED		AS REQUIRED				AS REQUIRED
	WILL TAKE UP TO 6 OV/LDS										
	USED IN 5X6 & 6X8 TERM. BOX										
9 NI	OVERLOAD SPACER PACKAGE		06DA403052		AS REQUIRED		AS REQUIRED				AS REQUIRED
	WILL TAKE UP TO 4 OV/LDS										
	USED IN 6X8 TERM. BOX										
9 NI	OVERLOAD SPACER PACKAGE		06DA403042		AS REQUIRED		AS REQUIRED				AS REQUIRED
	WILL TAKE UP TO 2 OV/LDS										
	USED IN 6X6 TERM. BOX										
NOTE: OVERLOAD SPACER IS USED TO MOUNT O/L'S IN TERMINAL BOX.											

NOTE: See "Catalog Notes" on last page for explanation of symbolism.

AIR CONDITIONING MEDIUM TEMP REFRIGERATION COMPRESSORS

06D

ITEM	PART DESCRIPTION	06DA/DM108 6D23 2 CYL		06DA/DM409 6D24 2 CYL		06DA/DM809 6D24 2 CYL		06DA/DM808 6D28 2 CYL		
		COMPRESSOR BODY GROUP								
	NI PAINT (SEA FOAM GREEN)		PH23QK016							
25	NI GASKET SET (#)		6D43-172							
26	HEAD,CYLINDER(CENTER)		6D40-2163							
27	HEAD,CYLINDER(NON/UWL)		X							
28	HEAD,CYLINDER(UNLOADING)HGBP		X							
29	HEAD,CYLINDER(UNLOADING)SCOU		X							
30	GASKET,CYLINDER HEAD(CENTER)		6D40-1053							
31	GASKET,CYLINDER HEAD(PLAIN)		X							
32	GASKET,CYLINDER HEAD(HGBP)		X							
33	GASKET,CYLINDER HEAD(SCOU)		X							
34	CAPSCREW,CYLINDER HEAD(PLAIN)		(8)AA06BR237	(8)					(8)	
35	CAPSCREW,CYL HEAD(W/CAP CNTL.)		X							
36	SCREEN ASSEMBLY,OIL FILTER		6D40-103							
37	PLUG,OIL BY-PASS		X							
38	GASKET,OIL BY-PASS PLUG		X							
39	TUBE,OIL SUCTION		05DA500283							
40	VALVE ASSEMBLY,OIL RELIEF		6D23-522							
41	INCLUDES ITEMS 41-42									
41	NI NUT, COMPRESSION		DD03CA072							
42	SIGHTGLASS ASSEMBLY(1-1/2-18)		5F20-152							
	INCLUDES ITEM 43									
43	GASKET,SIGHTGLASS		5F20-1631							
42A	NI SIGHTGLASS (SPECIAL) 3/4 NPT		X							
42B	NI ADAPTOR (1-1/2-18 X 1-1/8 ODS)		30HH401051							
44	KIT,STATOR LOCKING		X							
45	COVER,BOTTOM		6D40-1033							
46	GASKET,BOTTOM COVER		6D40-1043							
47	CAPSCREW,BOTTOM PLATE		(16)AA06BR229	(16)					(16)	
48	FOOT,COMPRESSOR(MOTOR END)		6D40-1042							
49	CAPSCREW,COMPRESSOR FOOT		(2)AA06BR229	(2)					(2)	
49A	WASHER,EVERLOCK		(2)AU27AR241	(2)					(2)	
50	COVER,MOTOR END @		6D23-1084							
51	GASKET,MOTOR END COVER		6D23-1063							
52	CAPSCREW,MOTOR END COVER		(18)AA06BR232	(18)					(18)	
53	STRAINER,SUCTION(CYLINDER)		6D23-112							
53	STRAINER,SUCTION(FLAT TYPE)		X							
54	PLATE,BAFFLE(OLDER UNITS ONLY)		6D23-1172							
55	ROLLPIN(STATOR TO CRANKCASE)		AX14CA135							
56	VALVE ASSEMBLY,CHECK		6D40-162							
57	PLUG,PIPE(1/4" HEX HEAD)		(3)CA63AA051	(3)					(3)	
58	VALVE ASSEMBLY,LOW PRESS. CONN.		06DA403844							
59	CAP,VALVE(7/16-20)		DD19CA061							
# GASKET SET 6D43-172 CONTAINS ITEMS 3F,14,30,31,38,46,51,73,80,108 & 200 . ALL AVAILABLE VERSIONS OF EACH ITEM ARE INCLUDED. QUANTITIES ARE SUFFICIENT FOR 2,4 OR 6 CYLINDER. @ AN ALTERNATE 2 BOLT SUCTION VALVE COVER 06DA505404 IS AVAILABLE FOR USE ON 808 MODEL.										

NOTE: See "Catalog Notes" on last page for explanation of symbolism.

AIR CONDITIONING MEDIUM TEMP REFRIGERATION COMPRESSORS

06D

ITEM	PART DESCRIPTION	06DA/DM108 6D23 2 CYL		06DA/DM409 6D24 2 CYL		06DA/DM809 6D24 2 CYL		06DA/DM808 6D28 2 CYL		
		THE FOLLOWING FLAT TOP STANDARD AND OVERSIZED PISTONS ARE FOR USE IN COMPRESSOR MODELS: 06D 6D43-962								
90 NI	PISTON & PIN PACKAGE (FLAT TOP DESIGN)									
	INCLUDES ITEMS 91-93									
	PISTON									
91	PISTON									
92	PIN, PISTON									
93	RETAINING RING, PISTON PIN									
90 NI	PISTON & PIN PACKAGE USED ONLY IN 06D-808---30	(2)6D43-1651 X		(2)		(2)		(2)		(2)6D44-962
	LOW CLEARANCE COMPR. MODEL (FLAT TOP DESIGN)									
	INCLUDES ITEMS 91-93									
91	PISTON									
92	PIN, PISTON									
93	RETAINING RING, PISTON PIN									
90 NI	PISTON & PIN PACKAGE REFRIG. (CONTOURED TOP)									
	INCLUDES ITEMS 91-93									
91	PISTON									
92	PIN, PISTON									
93	RETAINING RING, PISTON PIN									
94	SPRING WASHER, CURVED									
90	PISTON & PIN ASSEMBLY (.020 OVERSIZE) (NOTE)	(2)06DA660067		(2)		(2)		(2)		(2)
90 NI	PISTON & PIN PACKAGE (.020 OVERSIZE) (NOTE)									
	USED ONLY IN 06D-808---30									
	LOW CLEARANCE COMPRESSOR MODEL									
	INCLUDES ITEMS 91-93									
91	PISTON									
92	PIN, PISTON									
93	RETAINING RING, PISTON PIN									
96	ECCENTRIC STRAP									
96 NI	CONNECTING ROD & CAP ASSEMBLY INCLUDES ITEMS 97-99	(2)6D43-1651 (2)5D40-1372 X		(2)		(2)		(2)		(2)
97	CONNECTING ROD & CAP									
98	CAPSCREW									
99	DOWEL PIN									
100	RING, COMPRESSION									
100A	RING, COMPRESSION (PKG OF 12) (.020 OVERSIZE) (NOTE)	(2)AU50CP355 06DA660069		(2)		(2)		(2)		(2)
101	RING OIL (NOT USED CURRENTLY)									
101A	RING OIL (.020 OVERSIZE) (NOTE)	(2)AU50CP245 06DA660070		(2)		(2)		(2)		(2)
	(*) IDENTIFIED BY ".020" STAMPED ON CYLINDER DECK NEXT TO EACH OVER-SIZED PISTON. CHECK NEAR EACH. BOTH MAY NOT BE MARKED.									

NOTE: See "Catalog Notes" on last page for explanation of symbolism.

AIR CONDITIONING MEDIUM TEMP REFRIGERATION COMPRESSORS

06D

ITEM	PART DESCRIPTION	06DA/DM/DX313 6D45 4 CYL	06DA/DM316 6D43 4 CYL	06DA/DM318 6D44 4 CYL	06DA/DM518 6D48 4 CYL	06DA/DM718 6D47 4 CYL	06DA/DM818 6D48 4 CYL
	REPLACEMENT COMPRESSOR GROUP						
	AIR COND./MED. TEMP.						
	230-160	06DM3136FC300	06DM3166AC300	06DM3186FC300	06DM5186AC300	06DM7186AC300	X
	206/230-3-60	06DM3136FC300	X	06DM3186CC3200	X	X	06DM8186AC1200
	400/460-3-50/60	06DM3136FC3600	06DM3166AC0600	06DM3186CC3600	X	06DM7186AC0600	06DM8186AC0600
	575-3-60	06DM3136FC3100	06DM3166AC0100	06DM3186FC3100	X	06DM7186AC0100	06DM8186AC0100
	208-3-60	X	06DM3166AC0400	06DM3186CC3200	X	06DM7186AC0400	X
	230-3-60	X	06DM3166AC0500	06DM3186CC3200	X	06DM7186AC0500	X
	TERMINAL PLATE & BOX GROUP						
1 & 2	TERM. BOX & COVER KIT(3 x5 x6)						
	1 OR 2 OV/LDS. 1PH. 3PH XL	06DA660075					
1 & 2	TERM. BOX & COVER KIT(3.4x6x6)	06DA660076					
	UP TO 3 OV/LDS. 3PH XL						
1 & 2	TERM. BOX & CVR. KIT(3 x6 x6)	06DA660088					
	UP TO 5 OV/LDS. 3PH PW						
	EACH TERMINAL BOX & COVER KIT ALSO CONTAINS: LABELS, INSULATION AND MOUNTING HARDWARE						
3	NI TERMINAL PLATE PACKAGE	06DA660045					
	INCLUDES ITEMS 3A-3H						
3A	TERMINAL PLATE ASSY(6 PIN)	NSS					
	INCLUDES ITEMS 3B-3E						
3B	PHASE BARRIER(PLASTIC)	06DA503674					
3C	NUT, TERMINAL (BRASS)	(6)06DA503252	(6)	(6)	(6)	(6)	(6)
3D	WASHER, LOCK TIGHT	(6)A1294R171	(6)	(6)	(6)	(6)	(6)
3E	SPACER SLEEVE (BRASS)	(6)06DA502333	(6)	(6)	(6)	(6)	(6)
3F	NI GASKET, TERMINAL PLATE	6D40-1061					
3G	NI SPLICE	(2)NSS	(2)	(2)	(2)	(2)	(2)
3H	NI SCREW, TERMINAL PLATE MTG	(4)NSS	(4)	(4)	(4)	(4)	(4)
4B	GROMMET, MOTOR LEAD	6D40-1311					
5	NI TERMINAL PACKAGE	06DA660095					
	INCLUDES						
	TERMINAL NUT & SCREW	(6)SEE NOTE	(6)	(6)	(6)	(6)	(6)
	NOTE: FOR USE ON POWER LEADS THROUGH #5 WIRE GAUGE.						

NOTE: See "Catalog Notes" on last page for explanation of symbolism.

AIR CONDITIONING MEDIUM TEMP REFRIGERATION COMPRESSORS

06D

ITEM	PART DESCRIPTION	06DA/DM313 6D45 4 CYL		06DA/DM316 6D43 4 CYL		06DA/DM318 6D44 4 CYL		06DA/DM518 6D48 4 CYL		06DA/DM718 6D47 4 CYL		06DA/DM818 6D48 4 CYL	
12	NI SUCTION VALVE PACKAGE												
	INCLUDES ITEMS 13-17												
13	SERVICE VALVE(1/8ODS,2BOLT)												
14	GASKET VALVE(1.75 CTBS)												
15	CAPSCREW VALVE MOUNTING												
16	CAP VALVE(MUELLER)		(2)				(2)				(2)		(2)
16A	CAP VALVE(HENRY)												
17	GASKET VALVE CAP(MUELLER)												
17A	GASKET VALVE CAP(HENRY)												
18	NI SUCTION VALVE PKG.(ALTERNATE)												
	INCLUDES ITEMS 30-36												
13	SERVICE VALVE												
14	GASKET VALVE												
15	CAPSCREW VALVE MOUNTING												
16	CAP VALVE(MUELLER)												
16A	CAP VALVE(HENRY)												
17	GASKET VALVE CAP(MUELLER)												
17A	GASKET VALVE CAP(HENRY)												
19	NI DISCHARGE VALVE PACKAGE												
	INCLUDES ITEMS 20-24												
20	SERVICE VALVE(5/8ODS,2BOLT)												
21	GASKET VALVE(1.62 CTBS)												
22	CAPSCREW VALVE MOUNTING												
23	CAP VALVE(MUELLER)		(2)				(2)				(2)		(2)
23A	CAP VALVE(HENRY)												
24	GASKET VALVE CAP(MUELLER)												
24A	GASKET VALVE CAP(HENRY)												
19	NI DISCHARGE VLV.PKG.(ALTERNATE)												
	INCLUDES ITEMS 20-24												
20	SERVICE VALVE(7/8ODS,2BOLT)												
21	GASKET VALVE(1.62 CTBS)												
22	CAPSCREW VALVE MOUNTING												
23	CAP VALVE(MUELLER)		(2)				(2)				(2)		(2)
23A	CAP VALVE(HENRY)												
24	GASKET VALVE CAP(MUELLER)												
24A	GASKET VALVE CAP(HENRY)												
250	NI DISCHARGE BAFFLE PLT.(NOTE)												
	INCLUDES ITEMS 251-21												
251	NI PLATE BAFFLE(3 HOLE)												
21	GASKET												
	DO NOT ORDER ITEM 250 UNLESS APPROVED BY DIST. SERVICE MANAGER.												

NOTE: See "Catalog Notes" on last page for explanation of symbolism.

AIR CONDITIONING MEDIUM TEMP REFRIGERATION COMPRESSORS

06D

ITEM	PART DESCRIPTION	06DA/DM313 6D45 4 CYL		06DA/DM316 6D43 4 CYL		06DA/DM318 6D44 4 CYL		06DA/DM518 6D48 4 CYL		06DA/DM718 6D47 4 CYL		06DA/DM818 6D48 4 CYL	
		BEARING HEAD PACKAGE HAS 1/8 NPT CONNECTION FOR OIL SAFETY SWITCH WHICH IS NOT PART OF ITEM 60. ORDER SWITCH P529-2110 IF REQUIRED.											
60	BEARING HEAD PACKAGE INCLUDES ITEMS 62-80	6068-952											
62	BEARING HEAD ASSEMBLY INCLUDES ITEMS 63-89	NSS											
63	BEARING HEAD	NSS											
64	ROTOR,PUMP	NSS											
65	VANE,PUMP	(2)											
66	SPRING,VANE	(2)											
67	GUIDE,SPRING	(2)											
68	RING,RETAINING	(2)											
69	RING,ROTOR RETAINING	NSS											
70	GASKET CAPSCREWS(16)	(4)											
71	SCREW,HEX HEAD CAP	(4)AA068R199											
72	PLATE,COVER	06DA502972											
73	GASKET,COVER PLATE	6D40-1061											
74	SPRING,GUIDE VANE	6D40-1172											
75	VANE,GUIDE	6D40-1171											
76	DRIVE SEGMENT,OIL PUMP	6D40-1191											
77	SCREW, SOCKET HEAD	(2)NSS											
78	LOCKWASHER	(2)NSS											
79	SCREW, HEX HEAD CAP	(8)NSS											
80	GASKET BEARING HEAD	6D40-1022											
DRIVE TRAIN GROUP													
81	SHAFT,ECCENTRIC	06DA504874											
81A	CRANKSHAFT	X											
81B	CRANKSHAFT(0.10 UNDERSIZE)	X											
OLDER UNDERSIZE SHAFTS ARE IDENTIFIED BY AN "A" STAMPED ON ONE OR BOTH ENDS OF SHAFT.													
NEWER UNDERSIZE SHAFTS ARE IDENTIFIED BY REFERRING TO DETAIL "C" ON PAGE 12 OF THIS CATALOG.													
82	SIDE SHIELD,ECCENTRIC STRAP	(2)06DA653033											
83	COUNTERWEIGHT,PUMP END	06DA653003											
84	COUNTERWEIGHT,MOTOR END	06DA509023											
85	THRUSTWASHER	X											
86	PKL SPIROL(THRUSTWASHER)	X											
87	LOCKWASHER,ROTOR(1.750A)	06DA603112											
88	LOCKWASHER(5/8)PT,STAR	06DA503102											
89	TUBE ASSEMBLY,EQUALIZER	6D48-122											
95	KEY,ROTOR(1/4 X 1/4 X 3)	AW01DA103											

NOTE: See "Catalog Notes" on last page for explanation of symbolism.

AIR CONDITIONING MEDIUM TEMP REFRIGERATION COMPRESSORS

06D

ITEM	PART DESCRIPTION	06DA/DM313 6D45 4 CYL		06DA/DM316 6D43 4 CYL		06DA/DM318 6D44 4 CYL		06DA/DM518 6D48 4 CYL		06DA/DM718 6D47 4 CYL		06DA/DM818 6D48 4 CYL	
		(4)	X	(4)	X	(4)	X	(4)	X	(4)	X	(4)	X
96	DRIVE TRAIN GROUP CONT'D												
	ECCENTRIC STRAP	(4)5D40-1372	X			(4)06DA660041	X						
96	CONNECTION ROD & CAP ASSY. INCLUDES ITEMS 97-99		X					(4)	X				(4)06DA660109
97	CONNECTION ROD & CAP		X										
98	CAPSCREW, SELF LOCK		X			NSS							
99	PIN, DOWEL		X			(2)06DA502763	X	(2)	X			(2)	X
96	CONN. ROD & CAP ASSY. (-010) INCLUDES ITEMS 97-99		X			(2)71-6032	X	(2)	X			(2)	X
			X			(4)06DA660048	X	(4)	X			(4)	(4)06DA660110
97	CONNECTION ROD & CAP		X										
98	CAPSCREW, SELF LOCK		X			NSS							
99	PIN, DOWEL		X			(2)06DA502763	X	(2)	X			(2)	X
100	RING, COMPRESSION (2.00 DIA)	(4)AU50CP355	X	(4)	X	(2)71-6032	X	(2)	X			(2)	X
100	RING, COMPRESS. (2 DIA. I. + .020)	06DA660069	X			(4)	X	(4)	X			(4)	X
100	PKG OF 12 RINGS; (020 OVSZ)ZE		X										
100	RING, COMPRESSION (1.81 DIA)		X										
101	RING, OIL (2.00 DIA) (NOT USED CURRENTLY)	(4)AU50CP245	X	(4)	X	(4)	X	(4)	X			(4)	X
101	RING, OIL (2.00 DIA) (+ .020)	06DA660070	X										
101	PKG OF 12 RINGS; (020 OVSZ)ZE		X										
101	RING, OIL (1.81 DIA)		X										
VALVE PLATE GROUP													
102	NI VALVE PLT PKG (R.H.) (NOTE)	06DA660037	X										
102A	NI VALVE PLT PKG. (L.H.) (NOTE)	06DA660038	X										
NOTE: ABOVE LISTED ITEMS 102 FOR 1.81 CYL. BORE 013 & 313 MODELS ONLY													
EACH INCLUDES ITEMS 103-110													
103	VALVE PLATE ASSEMBLY	NSS	X										
	INCLUDES ITEMS 104-107		X										
104	VALVE DISCHARGE	(2)6D75-1062	X										
105	STOP DISCHARGE VALVE	(2)6D75-1052	X										
106	SCREW, HEX HD 1/4-28X3/8 LG	(4)A80660164	X										
107	LOCKWASHER	(4)AU161M1171	X										
108	GASKET, VALVE PLATE	6D40-1073	X										
31	GASKET, CYLINDER HEAD (PLAIN)	6D40-1053	X										
109	VALVE SUCTION (1.81 BORE)	(2)6D45-1072	X										
110	SPRING SUCTION VALVE POSITION	(2)NSS	X										
NOTE: SUCTION PORT IN VALVE PLATE IS TO BE AT MOTOR END SO PLATE ASSY 037 MOUNTS TO RIGHT BANK WHEN VIEWED FROM PUMP END OF COMPR. THIS RIGHT OR LEFT HAND ONLY APPLIES TO 1.81 CYL BORE MODELS													
195	NI VALVE PLATE PKG (HI-EFF)(A/C)	06DA660093	X										
	(2.00 CYLINDER BORE)		X										
ITEM 195 IS USED IN HI-EFFICIENCY MODELS 06D.....3100, 3200, 3600 ETC.													
EACH INCLUDES ITEM 196-202													
196	VALVE PLATE ASSY	NSS	X										
	INCLUDES ITEMS 197-199		X										
197	VALVE DISCHARGE	(2)06DA502913	X	(2)	X								
198	STOP DISCHARGE VALVE	(2)06DA502893	X	(2)	X								
199	SCREW, HEX HEAD	(4)A80660164	X	(4)	X								
200	GASKET, VALVE PLATE	6D43-1073	X										
31	GASKET, CYLINDER HEAD (PLAIN)	6D43-1053	X										
33	GASKET, CYL HD (STL) (SCOU)	06DA504594	X										
201	VALVE SUCTION (HI-EFF)	(2)06DA502903	X	(2)	X								
110	SPRING SUCTION VALVE	(2)NSS	X										
30	GASKET, CYL HEAD (CENTER)	6D68-1053	X	(2)	X								
202	GASKET, VALVE PLATE (STEEL)	06DA502923	X										

NOTE: See "Catalog Notes" on last page for explanation of symbolism.

AIR CONDITIONING MEDIUM TEMP REFRIGERATION COMPRESSORS

06D

ITEM	PART DESCRIPTION	06DA/DM313 6D45 4 CYL	06DA/DM316 6D43 4 CYL	06DA/DM318 6D44 4 CYL	06DA/DM518 6D48 4 CYL	06DA/DM718 6D47 4 CYL	06DA/DM818 6D48 4 CYL
ACCESSORY GROUP							
126 NI	CRANKCASE HEATER PACKAGES						
126 NI	STRAP ON 115V; 50W; 39" LEAD	06DA660091	→	X	X	X	X
126 NI	STRAP ON 230V; 50W; 39" LEAD	06DA660092	→	X	X	X	X
126 NI	STRAP ON 230V; 100W; 52" LEAD	HT3280346	→	X	X	X	X
	INCLUDES ITEM 127						
127 NI	BRACKET (CARTRIDGE)	07DA650011	→				
128 NI	INSERT TYPE 115V; 180W; 73" LEAD	X	X	X	X	X	X
128 NI	INSERT TYPE 230V; 180W; 73" LEAD	X	X	38A0660003	→	→	→
128 NI	INSERT TYPE 480V; 125W; 73" LEAD	X	X	38A0660004	→	→	→
	INCLUDES ITEM 129			06EA660076	→	→	→
129 NI	CLIP	X	X	AS81VFC56	→	→	→
130 NI	SOLID MOUNT SPACER PACKAGE	30HR070-1071	→	→	→	→	→
131 NI	COMPRESSOR INTERCONNECTION PKG	06DA900072	→	→	→	→	→
	INCLUDES ITEMS 132-133						
132 NI	ADAPTER (1/2-18 X 1 1/8 ODS)	(2)30HH4011051	(2)	(2)	(2)	(2)	(2)
133 NI	GASKET	(2)5F20-1631	(2)	(2)	(2)	(2)	(2)
138 NI	MUFFLER (AVAIL TILL DEPLETED)	50N7-1252	→	50K12-4503	→	→	→
138 NI	MUFFLER	06DA660594	→	06DA660594	→	→	→
MUFFLERS MAY BE MOUNTED IN HORIZONTAL OR VERTICAL POSITION.							
139 NI	MOUNTING PLATE KIT	06EA660096	→	→	→	→	→
140 NI	SUSPENSION KIT	06DA660056	→	→	→	→	→
	INCLUDES ITEMS 141-147						
141 NI	SPRING MOUNTING	(4)50K4-1231	(4)	(4)	(4)	(4)	(4)
142 NI	RETAINING SPRING	(2)50K4-1221	(2)	(2)	(2)	(2)	(2)
143 NI	NUT LOCK	(4)A16JLR241	(4)	(4)	(4)	(4)	(4)
144 NI	SNUBBER	(4)6073-2241	(4)	(4)	(4)	(4)	(4)
145 NI	CLIP, SNUBBER	(4)6073-2251	(4)	(4)	(4)	(4)	(4)
146 NI	STUD	(4)N5S	(4)	(4)	(4)	(4)	(4)
147 NI	NUT, FLANGED	(8)N5S	(8)	(8)	(8)	(8)	(8)
150 NI	CAPACITY CONTROL, ACCY. PKG.	06DA660089	→	→	→	→	→
	ELECTRIC SOO(L)ESS COIL						
	INCLUDES						
	CYLINDER HEAD ASSEMBLY	N5S	→	→	→	→	→
	INCLUDES ITEMS 29-162						
29	CYLINDER HEAD	06DA504614	→	→	→	→	→
151	PISTON	06DA503073	→	→	→	→	→
152	GASKET, UNLOADER VALVE	06EA501253	→	→	→	→	→
153	VALVE BODY	06DA502963	→	→	→	→	→
154	SPRING, COMPRESSION	06DA502963	→	→	→	→	→
155	COVER, VALVE	06DA502973	→	→	→	→	→
156	GASKET, VALVE COVER	06DA502983	→	→	→	→	→
157	VALVE BODY ASSY (LESS COIL)	06DA405264	→	→	→	→	→
159	STRAINER	6D75-601	→	→	→	→	→
160	SCREW, SOC HD (1/4-28 X 3/4)	(7)A8444A168	(7)	(7)	(7)	(7)	(7)
161	GASKET, SOCKET HEAD SCR	(3)AUS2YA171	(3)	(3)	(3)	(3)	(3)
162	RING, SEAL	06DA503083	→	→	→	→	→

NOTE: See "Catalog Notes" on last page for explanation of symbolism.

AIR CONDITIONING MEDIUM TEMP REFRIGERATION COMPRESSORS

06D

ITEM	PART DESCRIPTION	ACCESSORY GROUP CONT'D											
		06DA/DM313 6D45 4 CYL	06DA/DM316 6D43 4 CYL	06DA/DM318 6D44 4 CYL	06DA/DM518 6D4B 4 CYL	06DA/DM718 6D47 4 CYL	06DA/DM818 6D4B 4 CYL						
210	NI REWORK KIT (SCOU) INCLUDES ITEMS 151-162	06DA660111											
151	PISTON	06DA500072											
152	GASKET UNILoader VALVE	06EA501253											
153	VALVE BODY	06DA502963											
154	SPRING, COMPRESSION	06DA502953											
156	GASKET, VALVE COVER	06DA502983											
159	STRAINER	6D75-601											
162	RING, PISTON	06DA503083											
211	NI BLOCKING KIT (TO CHG SCOU TO FULLY LOADED)	06DA660112											
	INCLUDES ITEMS 152-161												
152	GASKET UNILoader VALVE	06EA501253											
205	SLEEVE, BLOCKING	06DA502993											
206	PLATE, COVER	06DA501032											
207	SCREW, SOCKET CAP	(3)JAB44A170	(3)	(3)	(3)	(3)	(3)	(3)	(3)	(3)	(3)	(3)	(3)
161	GASKET, SOCKET CAP SCREW	(3)AU52YA171	(3)	(3)	(3)	(3)	(3)	(3)	(3)	(3)	(3)	(3)	(3)
212	NI BLOCKING KIT (TO CHG HGBP TO FULLY LOADED)	06DA660113	X										
	INCLUDES ITEMS 152-161												
152	GASKET UNILoader VALVE	06EA501253	X										
212	SPRING	06DA500061	X										
213	PLUG	06DA501072	X										
214	SEAT RING	06DA500051	X										
206	PLATE, COVER	06DA501032	X										
207	SCREW, SOC HD CAP	(3)JAB44A170	X										
161	GASKET, SOC CAP SCREW	(3)AU52YA171	X										

NOTE: See "Catalog Notes" on last page for explanation of symbolism.

AIR CONDITIONING MEDIUM TEMP REFRIGERATION COMPRESSORS

06D

ITEM	PART DESCRIPTION	06DA/DM/DX724		06DA/DM/DX824		06DA/DM/DX328		06DA/DM/DX337		06DA/DM/DX537	
		6D63 6 CYL	6D67 6 CYL	X X	6D68 6 CYL	X X	X 6 CYL	X X	X X	6D73 6 CYL	6D75 6 CYL
6	NI	OVERLOAD GROUP									
		VOL TAGE									
		0300 230-1-60	X								
		0400 200-3-60 XL	(2)HN69GZ306	X	(2)HN69GZ309						X
		0500 230-3-60 XL	X		(2)HN69GZ306		(3)HN69GZ221		(3)		(4)HN69GZ214
		1200 208/230-3-60 XL	HN69GZ306		(2)HN69GZ309		(3)HN69GZ221		(2)		(4)HN69GZ307
		0600 400/460-3-50/60 XL	(2)HN69GZ025		(2)HN69GZ024		(2)HN69GZ301		(3)		(4)HN69GZ214
		0100 575-3-60 XL	(2)HN69GZ053		(2)HN69GZ025		(2)HN69GZ010		(2)		(2)HN69GZ307
		0800 220-3-50 XL	(2)HN69GZ022		(2)HN69GZ214		(2)HN69GZ306		(2)		(2)HN69GZ301
		1300 380-3-60 XL	X		(2)HN69GZ024		X		X		(2)HN69GZ309
		1400 208-3-60 PW	X		X		X		(6)HN69GZ022		X
		1500 230-3-60 PW	X		X		X		(6)HN69GZ046		(5)HN69GZ214
		1800 230-3-50 XL	X		X		(6)HN69GZ045		(6)		(5)HN69GZ106
		3100 575-3-60 XL	X		X		X		(2)HN69GZ025		X
		3200 208/230-3-60 XL	X		X		X		(3)HN69GZ309		X
		3600 380-3-60 XL	X		X		X		(2)HN69GZ024		X
		3800 415-3-50 PW	X		X		X		(6)HN69GZ004		X
7		THERMOSTAT PACKAGE (NOTE)	06DA660055								
		INCLUDES ITEMS 8A-8E									
8A		INSULATOR, THERMAL (FISH PAPER)	6D40-1141								
8B		THERMOSTAT (OPEN 160 F)	HH12HC161								
8C		SLEEVE, THERMOSTAT (FISH PAPER)	6D23-1521								
8D		WASHER (1-1/2 O.D. STEEL)	6D23-1511								
8E		SPRING, THERMOSTAT (1.31 I.D.)	6D23-1531								
		NOTE: THE ABOVE THERMOSTAT PACKAGE (ITEM 7) IS USED ON PART WIND START MODELS ONLY.									
9	NI	OVERLOAD SPACER PACKAGE (2PCS)	06DA660077								
		WILL TAKE UP TO 6 OV/LDS			AS REQUIRED		AS REQUIRED		AS REQUIRED		AS REQUIRED
		USED IN 5X6 & 6X8 TERM. BOX									
9	NI	OVERLOAD SPACER PACKAGE	06DA403052								
		WILL TAKE UP TO 4 OV/LDS			AS REQUIRED		AS REQUIRED		AS REQUIRED		AS REQUIRED
		USED IN 6X8 TERM. BOX									
9	NI	OVERLOAD SPACER PACKAGE	06DA403042								
		WILL TAKE UP TO 2 OV/LDS			AS REQUIRED		AS REQUIRED		AS REQUIRED		AS REQUIRED
		USED IN 6X6 TERM. BOX									
		NOTE: OVERLOAD SPACERS ARE USED TO MOUNT O/L'S IN TERMINAL BOX.									

NOTE: See "Catalog Notes" on last page for explanation of symbolism.

AIR CONDITIONING MEDIUM TEMP REFRIGERATION COMPRESSORS

06D

ITEM	PART DESCRIPTION	06DA/DIM/DX724	06DA/DIM/DX824	06DA/DIM/DX328	06DA/DIM/DX337	06DA/DIM/DX537
		6D63 6 CYL 6D67 6 CYL	X X 6D68 6 CYL	X X X 6 CYL	X X 6D73 6 CYL	X X 6D75 6 CYL
COMPRESSOR BODY GROUP						
NI	PAINT (SEA FOAM GREEN)	PH230K016	→	→	→	→
25	NI GASKET SET (#)	6D43-172	→	→	→	→
26	HEAD,CYLINDER(CENTER)	6D68-1023	→	→	→	→
27	HEAD,CYLINDER(NON/UNL)	(2)6D40-2163	(2)	(2)	(2)	(2)
28	HEAD,CYL.(UNLOADING)HGBP*	6D75-1204	→	6D75-1204	→	→
29	HEAD,CYL.(UNLOADING)SCOU*	06DA504614	→	→	→	→
30	GASKET,CYL.HEAD(CENTER)	6D68-1023	→	→	→	→
31	GASKET,CYL.HEAD(NON/UNL)	(2)6D40-1053	(2)	(2)	(2)	(2)
32	GASKET,CYL.HEAD(HGBP)*	6D75-2672	→	X	→	→
33	GASKET,CYL.HEAD(SCOU)*	06DA504594	→	→	→	→
34	CAPSCREW,CYL.HEAD(NON/UNL)	(16)AA06BR237	(16)	(16)	(16)	(16)
35	CAPSCREW,CYL.HEAD*	(8)AA06BR239	(8)	(8)	(8)	(8)
	(CENTERBANK & CAP CNTL.BANK)					
35A	STUD.FAN GUARD MOUNTING	(4)06DA503213	X	X	(4)06DA503213	X
* QUANTITY REQUIRED IS DETERMINED BY NUMBER OF CYLINDER BANKS WITH UNLOADING (1 OR 2) AND WHAT TYPE OF SYSTEM IS USED.						
GASKET SET 6D43-172 CONTAINS ITEMS 3F,14,30,31,38,46,51,73,80,108 & 200. ALL AVAILABLE VERSIONS OF EACH ITEM ARE INCLUDED. QUANTITIES ARE SUFFICIENT FOR 2,4 OR 6 CYLINDER.						
36	SCREEN ASSEMBLY,OIL FILTER	6D40-103	→	→	→	→
37	PLUG,OIL BY-PASS	5F20-1131	→	→	→	→
	(5/8-18X1/4NPT)					
38	GASKET,OIL BY-PASS PLUG(5/8)	AU51YA011	→	→	→	→
39	TUBE,OIL SUCTION	6D68-2153	→	6D75-2153	→	→
40	VALVE ASSEMBLY,OIL RELIEF	6D23-522	→	→	→	→
	INCLUDES ITEM 41					
41	NI NUT,COMPRESSION(1/2-20)	X	X	X	X	X
42	SIGHTGLASS ASSEMBLY(1/2-18)	5F20-152	→	→	→	→
	INCLUDES ITEM 43					
43	GASKET,SIGHTGLASS	5F20-1631	→	→	→	→
44	KIT,STATOR LOCKING	06DA660102	→	→	→	→
45	COVER,BOTTOM	6D68-1274	→	→	→	→
46	GASKET,BOTTOM COVER	6D68-1043	→	→	→	→
47	CAPSCREW,BOTTOM PLATE	(22)AA06BR235	(22)	(22)	(22)	(22)
48	FOOT,COMPRESSOR(MOTOR END)	X	X	X	X	X
49	CAPSCREW,COMPRESSOR FOOT	(2)AA06BR230	(2)	(2)	(2)	(2)
49A	WASHER,EVERLOCK	(2)AU27AR241	(2)	(2)	(2)	(2)
50	COVER,MOTOR END(2 BOLT VALVE)	6D48-1024	X	X	X	X
50	COVER,MOTOR END(4 BOLT VALVE)	06EA502224	→	→	→	→
51	GASKET,MOTOR END COVER	6F25-1013	→	(2)	→	→
51A	PLATE,RESTRICTOR(328 ONLY)	X	X	06DA501343	X	X
52	CAPSCREW,MTR.END COVER(1/4)	(18)AA06GR262	(18)	(18)	(18)	(18)
52	CAPSCREW,MTR.END COVER(3/2)	(18)AA06GR271	(18)	(18)	(18)	(18)
53	STRAINER,SUCTION(MESH CUP)	06DA402133	→	→	→	→
53	STRAINER,SUCTION (FLAT TYPE)	6D48-303	X	X	X	X
FLAT TYPE STRAINER USED ONLY ON 2 BOLT MOTOR END SUCTION VALVE. MESH CUP STRAINER USED ONLY ON 4 BOLT MOTOR END SUCTION VALVE.						
54	PLATE,BAFFLE(OLDER UNITS ONLY)	X	X	X	X	X
55	ROLLPIN(STATOR TO CRANKCASE)	AX14CA135	→	→	→	→
56	VALVE ASSEMBLY,CHECK	6D40-162	→	→	→	→
57	PLUG,PIPE(1/4" HEX HEAD)	(3)CA63AA051	(3)	(3)	(3)	(3)
58	VALVE ASSEMBLY,LOW PRESS.CONN.	06DA403844	→	→	→	→
59	CAP,VALVE(7/16-20)	DD19CA061	→	→	→	→

NOTE: See "Catalog Notes" on last page for explanation of symbolism.

AIR CONDITIONING MEDIUM TEMP REFRIGERATION COMPRESSORS

06D

ITEM	PART DESCRIPTION	06DA/DM/DX724		06DA/DM/DXB24		06DA/DM/DX328		06DA/DM/DX337		06DA/DM/DX537	
		6D63 6 CYL 6D67 6 CYL	X X 6D68 6 CYL	X X 6D68 6 CYL	X X X 6 CYL	X X 6D73 6 CYL	X X 6D75 6 CYL	X X 6D75 6 CYL	X X 6D75 6 CYL	X X 6D75 6 CYL	X X 6D75 6 CYL
90	NI: PISTON & PIN PKG. (A/C) (2" DIA BORE) (FLAT TOP DESIGN) INCLUDES ITEMS 91-93	(6)D68-962	(6)	(6)D68-962	(6)D68-962	(6)D68-962	(6)D68-962	(6)D68-962	(6)D68-962	(6)	(6)
91	PISTON	NSS	→	NSS	NSS	NSS	NSS	NSS	NSS	→	→
92	PIN,PISTON	NSS	→	NSS	NSS	NSS	NSS	NSS	NSS	→	→
93	RETAINING RING,PISTON PIN	(2)D43-1651	(2)	(2)D43-1651	(2)	(2)	(2)	(2)	(2)	(2)	(2)
90	NI: PISTON & PIN PKG. (A/C) * (.020 OVERSIZED) (FLAT TOP DESIGN) INCLUDES ITEMS 91-93	06DA660066	→	06DA660066	→	06DA660071	→	06DA660084	→	→	→
91	PISTON	NSS	→	NSS	→	NSS	→	NSS	→	→	→
92	PIN,PISTON	NSS	→	NSS	→	NSS	→	NSS	→	→	→
93	RETAINING RING,PISTON PIN	(2)D43-1651	(2)	(2)D43-1651	(2)	(2)	(2)	(2)	(2)	(2)	(2)

(*) DETERMINE QUANTITY REQUIRED BY NUMBER OF CYLINDERS WHICH HAVE ".020" STAMPED ON CYLINDER DECK NEAR PISTON. NOT ALL CYLINDERS MAY BE OVERSIZED 1, 2, OR 3 ARE POSSIBLE.

NOTE: See "Catalog Notes" on last page for explanation of symbolism.

AIR CONDITIONING MEDIUM TEMP REFRIGERATION COMPRESSORS

06D

ITEM	PART DESCRIPTION	06DA/DM/DX724		06DA/DM/DX824		06DA/DM/DX328		06DA/DM/DX337		06DA/DM/DX537	
		6D63 6 CYL	6D67 6 CYL	X X	6D68 6 CYL	X X	X 6 CYL	X X	6D73 6 CYL	X X	6D75 6 CYL
ACCESSORY GROUP											
126 NI	CRANKCASE HEATER PACKAGES										
126 NI	STRAP ON 115V, 50W, 39" LEAD	X		X		X		X		X	
126 NI	STRAP ON 230V, 50W, 39" LEAD	X		X		X		X		X	
126 NI	STRAP ON 230V, 100W, 52" LEAD	X		X		X		X		X	
	INCLUDES ITEM 127										
127 NI	BRACKET (CARTRIDGE)										
128 NI	INSERT TYPE 115V, 180W, 73" LEAD										
128 NI	INSERT TYPE 230V, 180W, 73" LEAD										
128 NI	INSERT TYPE 480V, 125W, 73" LEAD										
	INCLUDES ITEM 129										
129 NI	CLIP			X		AS61VF056					
130 NI	SOLID MOUNT SPACER PACKAGE										
131 NI	COMPRESSOR INTERCONNECTION PKG										
	INCLUDES ITEMS 132--133										
132 NI	ADAPTER (1/2-18 X 1 1/8 ODS)			(2)		(2)		(2)		(2)	
133 NI	GASKET			(2)		(2)		(2)		(2)	
138 NI	MUFFLER (AVAIL TILL DEPLETED)										
						50K12-4503					
138 NI	MUFFLER							50K16-3042			
						06DA605604		06DA605614			
	MUFFLER MAY BE MOUNTED IN A HORIZONTAL OR VERTICAL POSITION.										
139 NI	MOUNTING PLATE KIT										
140 NI	SUSPENSION KIT										
	INCLUDES ITEMS 141--147										
141 NI	SPRING, MOUNTING			(4)		(4)		(4)		(4)	
142 NI	RETAINING SPRING			(2)		(2)		(2)		(2)	
143 NI	NUT, LOCK			(4)		(4)		(4)		(4)	
144 NI	SNUBBER			(4)		(4)		(4)		(4)	
145 NI	CUP, SNUBBER			(4)		(4)		(4)		(4)	
146 NI	STUD			(4)		(4)		(4)		(4)	
147 NI	NUT, FLANGED			(8)		(8)		(8)		(8)	
150 NI	CAPACITY CONTROL, ACCY. PKG.										
	ELECTRIC SCOUT (LESS COIL)										
	INCLUDES ITEMS 29--162										
	CYLINDER HEAD ASSEMBLY										
	INCLUDES ITEMS 29--162										
29	CYLINDER HEAD										
151	PISTON										
152	GASKET, UNLOADER VALVE										
153	VALVE, BODY										
154	SPRING, COMPRESSION										
155	COVER, VALVE										
156	GASKET, VALVE COVER										
157	VALVE BODY ASSY (LESS COIL)										
159	STRAINER										
160	SCREW, SOCKET HEAD (1/4-28X3/4)										
161	GASKET, SOCKET HEAD SCREW			(7)		(7)		(7)		(7)	
162	RING, PISTON SEAL			(3)		(3)		(3)		(3)	

NOTE: See "Catalog Notes" on last page for explanation of symbolism.

AIR CONDITIONING MEDIUM TEMP REFRIGERATION COMPRESSORS

06D

ITEM	PART DESCRIPTION	06DA/DM/DX724		06DA/DM/DX824		06DA/DM/DX328		06DA/DM/DX337		06DA/DM/DX537	
		6D63 6 CYL	6D67 6 CYL	X X	6D68 6 CYL	X X	X 6 CYL	X X	6D73 6 CYL	X X	6D75 6 CYL
210 NI	REWORK KIT (SCOU)										
	INCLUDES ITEMS 151-162										
151	PISTON										
152	GASKET, UNLOADER VALVE										
153	VALVE BODY										
154	SPRING, COMPRESSION										
156	GASKET, VALVE COVER										
159	STRAINER										
162	RING, PISTON										
211 NI	BLOCKING KIT										
	(TO CHG. SCOU TO FULLY LOADED)										
	INCLUDES ITEMS 152-161										
152	GASKET, UNLOADER VALVE										
205	SLEEVE, BLOCKING										
206	PLATE, COVER										
207	SCREW, SOCKET CAP										
161	GASKET, SOCKET CAP SCREW										
212 NI	BLOCKING KIT										
	(TO CHG. HGBP TO FULLY LOADED)										
	INCLUDES ITEMS 152-161										
152	GASKET, UNLOADER VALVE										
212	SPRING										
213	PLUG										
214	SEAT RING										
206	PLATE, COVER										
207	SCREW, SOC. HD CAP										
161	GASKET, SOC. HD CAP SCREW										
42B	ADAPTOR 1-1/2-18 X 1-1/8 ODS										

NOTE: See "Catalog Notes" on last page for explanation of symbolism.

AIR CONDITIONING MEDIUM TEMP REFRIGERATION COMPRESSORS

06D

ITEM	PART DESCRIPTION	06DR109 6D21 2 CYL		06DR013 4 CYL		06DR316 6D43 4 CYL		06DR718 6D47 4 CYL		06DR820 6D48 4 CYL	
		OVERLOAD GROUP VOLTAGE CODE		VOLTAGE CODE		VOLTAGE CODE		VOLTAGE CODE		VOLTAGE CODE	
5	NI	0300 230-1-60	HN69GZ037	HN69GZ031		X		HN69GZ031			X
		* 0400 200-3-60	(2)HN69GZ007	(2)HN69GZ053		(2)HN69GZ024		(2)	→		(2)HN69GZ036
		* 0500 230-3-60	(2)HN69GZ039	(2)HN69GZ037		(2)HN69GZ031		(2)	→		(2)HN69GZ214
		1200 208/230-3-60	X	X		X		X			(2)HN69GZ036
		* 0600 400/460-3-50/60	(2)HN69GZ015	(2)HN69GZ012		(2)HN69GZ014		(2)	→		(2)HN69GZ025
		* 0100 575-3-60	(2)HN69GZ012	(2)HN69GZ011		(2)HN69GZ032		(2)	→		(2)HN69GZ053
		0800 220-3-60	(2)HN69GZ012	(2)HN69GZ053		(2)		(2)HN69GZ004			X
		1300 380-3-60	X	X		X		X			X
		1400 208-3-60 PW	X	X		X		X			X
		1500 230-3-60 PW	X	X		X		X			X
		1800 230-3-60 PW	X	X		X		X			X
		3100 575-3-60	(2)HN69GZ011	(2)HN69GZ012		(2)HN69GZ032		(2)	→		(2)HN69GZ037
		3200 208/230-3-60 XL	(2)HN69GZ007	(2)HN69GZ004		(2)HN69GZ024		(2)	→		(2)HN69GZ214
		3400 220-3-60 XL	X	X		X		(2)HN69GZ031			X
		3600 400/460-3-50/60	(2)HN69GZ015	(2)HN69GZ012		(2)HN69GZ014		(2)	→		(2)HN69GZ038
		3900 415-3-60	(2)HN69GZ015	(2)HN69GZ012		(2)HN69GZ014		(2)	→		(2)HN69GZ038
NOTE: * IF ORIGINAL OYL IS FURNAS CONTACT CARRIER FOR HTR OR O/L NO.											
7	NI	THERMOSTAT PACKAGE	X	X		X		X			X
INCLUDES ITEMS 8A-8E											
8A		INSULATOR, THERMAL (FISH PAPER)	X	X		X		X			X
8B		THERMOSTAT (OPEN 160 F)	X	X		X		X			X
8C		SLEEVE, THERMOSTAT (FISH PAPER)	X	X		X		X			X
8D		WASHER (1-1/2 O.D. STEEL)	X	X		X		X			X
8E		SPRING, THERMOSTAT(1.31 I.D.)	X	X		X		X			X
NOTE: THE ABOVE THERMOSTAT PACKAGE (ITEM 7) IS USED ON PART WIND START MODELS ONLY.											
9	NI	OVERLOAD SPACER PACKAGE(2PCS)	06DA660077								→
WILL TAKE UP TO 6 OV/LDS											
USED IN 5X6 & 6X8 TERM. BOX											
9	NI	OVERLOAD SPACER PACKAGE	06DA403052								→
WILL TAKE UP TO 4 OV/LDS											
USED IN 6X8 TERM. BOX											
9	NI	OVERLOAD SPACER PACKAGE	06DA403042								→
WILL TAKE UP TO 2 OV/LDS											
USED IN 6X6 TERM. BOX											
NOTE: OVERLOAD SPACER IS USED TO MOUNT O/L'S IN TERMINAL BOX.											

NOTE: See "Catalog Notes" on last page for explanation of symbolism.

AIR CONDITIONING MEDIUM TEMP REFRIGERATION COMPRESSORS

06D

ITEM	PART DESCRIPTION	06DR109 6D21 2 CYL	06DR013 4 CYL	06DR316 6D43 4 CYL	06DR718 6D47 4 CYL	06DR820 6D48 4 CYL
COMPRESSOR BODY GROUP						
NI	PAINT (SEA FOAM GREEN)	PH23K016	→	→	→	→
25	GASKET SET (#)	6D43-172	→	→	→	→
26	HEAD,CYLINDER(CENTER)	6D40-2163	X	X	X	X
27	HEAD,CYLINDER(NON/UNL)	X	(2)6D40-2163	(2)	(2)	(2)
30	GASKET,CYLINDER HEAD(CENTER)	6D40-1053	X	X	X	X
31	GASKET,CYLINDER HEAD(NON/UNLO)	X	(2)6D40-1053	(2)	(2)	(2)
34	CAPSCREW,CYLINDER HEAD(PLAIN)	(8)AA06BR237	→	(12)	(12)	(12)
36	SCREEN ASSEMBLY,OIL FILTER	6D40-103	→	→	→	→
37	PLUG,OIL BY-PASS(5/8 X 1/4)	X	5F20-1311	→	→	→
38	GASKET,OIL BY-PASS PLUG (5/8)	X	AU51YA011	→	→	→
39	TUBE,OIL SUCTION	05DA500283	→	→	6D48-1092	→
40	VALVE ASSEMBLY,OIL RELIEF	6D23-522	→	→	→	→
INCLUDES ITEMS 41						
41	NI	NUT,COMPRESSION	X	X	X	X
42	SIGHTGLASS ASSEMBLY(1-1/2-18)	5F20-152	→	→	→	→
INCLUDES ITEM 43						
43	GASKET,SIGHTGLASS	5F20-1631	→	→	→	→
42	SIGHTGLASS (SPECIAL) 3/4 NPT	X	X	X	X	X
42B	ADAPTOR (1 1/2-18 X 1 1/8 ODS)	30RH401051	→	→	→	→
44	KIT,STATOR LOCKING	X	X	X	X	X
45	COVER,BOTTOM	6D40-1033	6D48-1274	→	6D40-1033	→
46	GASKET,BOTTOM COVER	6D40-1043	→	→	→	→
47	CAPSCREW,BOTTOM PLATE	(16)AA06BR229	(16)	(16)	(16)	(16)
48	FOOT,COMPRESSOR(MOTOR,END)	6D40-1042	→	→	6D48-2063	→
49	CAPSCREW,COMPRESSOR FOOT	(2)AA06BR229	(2)	(2)	(2)	(2)
49A	WASHER,EVERLOCK	(2)AU27AR241	(2)	(2)	(2)	(2)
50	COVER,MOTOR,END @	6D23-1084	6D48-1024	→	→	06EA502224
51	GASKET,MOTOR,END COVER	6D23-1083	6F25-1013	→	→	→
52	CAPSCREW,MOTOR,END COVER	(18)AA06BR232	(18)AA06BR262	(18)	(18)	(18)
53	STRAINER,SUCTION(CYLINDER)	6D23-112	6D40-112	→	X	X
53	STRAINER,SUCTION(FLAT TYPE)	X	6D48-303	→	→	→
54	PLATE,BAFFLE(FOLDER UNITS ONLY)	6D23-1172	6D40-1172	→	X	X
55	ROLLPIN(STATOR TO CRANKCASE)	AX14CA136	→	→	→	→
56	VALVE ASSEMBLY,CHECK	6D40-162	→	→	→	→
57	PLUG,PIPE(1/4" HEX HEAD)	(3)CA63AA051	(4)	(4)	(4)	(4)
58	VALVE ASSEMBLY,LOW PRESS,CONN.	06DA403844	→	→	→	→
59	CAP,VALVE(7/16-20)	DD19CA061	→	→	→	→
# GASKET SET 6D43-172 CONTAINS ITEMS 3F, 14, 30, 31, 38, 46, 51, 73, 80, 108 & 200 . ALL AVAILABLE VERSIONS OF EACH ITEM ARE INCLUDED. QUANTITIES ARE SUFFICIENT FOR 2,4 OR 6 CYLINDER.						
@AN ALTERNATE COVER FOR 2 BOLT SUCTION VALVE IS 06DA505404 ON 109.						

NOTE: See "Catalog Notes" on last page for explanation of symbolism.

AIR CONDITIONING MEDIUM TEMP REFRIGERATION COMPRESSORS

06D

ITEM	PART DESCRIPTION	06DR109 6D21 2 CYL	06DR013 4 CYL	06DR316 6D43 4 CYL	06DR718 6D47 4 CYL	06DR820 6D48 4 CYL
DRIVE TRAIN GROUP CONT'D						
THE FOLLOWING FLAT TOP STANDARD AND OVERSIZED PISTONS ARE FOR USE IN COMPRESSOR MODELS: 06D						
90 NI	PISTON & PIN PACKAGE (CONTOURED TOP)(2.00 DIA. BORE)	(2)06DR660025	(4)06DR660026	(4)06DR660027	(4)06DR660025	(4)06DR660028
	INCLUDES ITEMS 91-93					
91	PISTON	NSS	→	→	→	→
92	PISTON PIN	NSS	→	→	→	→
93	RETAINING RING, PISTON PIN	(2)6D43-1651	(2)	(2)	(2)	(2)
94	WASHER, CURVED SPRING	(4)5D20-1321	X	X	X	X
90 NI	PISTON & PIN ASSEMBLY * (.020 OVERSIZE)(2.020 BORE)	06DR660033	06DR660034	06DR660035	06DR660033	06DR660036
	(CONTOURED TOP)					
	INCLUDES ITEMS 91-93					
91	PISTON	NSS	→	→	→	→
92	PIN, PISTON	NSS	→	→	→	→
93	RETAINING RING, PISTON	(2)6D43-1651	(2)	(2)	(2)	(2)
90 NI	PISTON & PIN PKG (FLAT TOP DESIGN)(2.00 BORE)	6D43-962	NLA	6D88-962	6D43-962	6D44-962
	INCLUDES ITEMS 91-93					
91	PISTON	NSS	→	→	→	→
92	PIN, PISTON	NSS	→	→	→	→
93	RETAINING RING, PISTON PIN	(2)6D43-1651	(2)	(2)	(2)	(2)
90 NI	PISTON & PIN PKG (FLAT TOP DESIGN).020 OVERSIZE	06DA660067	NLA	06DA660066	06DA660067	06DA660068
	INCLUDES ITEMS 91-93					
91	PISTON	NSS	NLA	NSS	→	→
92	PIN, PISTON	NSS	NLA	NSS	→	→
93	RETAINING RING, PISTON PIN	(2)6D43-1651	(2)	(2)	(2)	(2)
96	ECCENTRIC STRAP	(2)5D40-1372	(4)	(4)	(4)	(4)
96 NI	CONNECTING ROD & CAP ASSEMBLY INCLUDES ITEMS 97-99	X	X	X	X	X
	CONNECTING ROD & CAP	X	X	X	NSS	→
98	CAPSCREW, SELF LOCKING	X	X	X	(2)06DA502763	(2)
99	DOWEL PIN	X	X	X	(2)7J1-6032	(2)
96 NI	CONN ROD & CAP ASSY (- 010) INCLUDES ITEMS 97-99	X	X	X	06DA660048	06DA660087
97	CONNECTION ROD & CAP	X	X	X	NSS	→
98	CAPSCREW, SELF LOCKING	X	X	X	(2)06DA502763	(2)
99	PIN, DOWEL	X	X	X	(2)7J1-6032	(2)
100	RING, COMPRESSION(2.00 DIA)	(2)AU50CP355	(4)	(4)	(4)	(4)
100	RING, COMPRESSION(PKG OF 12) (.020 OVERSIZE)(NOTE)	06DA660069	→	→	→	→
100	RING, COMPRESSION (1.81 DIA.)	X	(4)AU50CP350	X	X	X
101	RING, OIL(2.00 DIA)(NOTE)	(2)AU50CP245	(4)	(4)	(4)	(4)
101	RING, OIL(2.00 DIA) (+ .020)	06DA660070	→	→	→	→
101	PKG OF 12 RINGS (+ .020)	X	(4)AU50CP250	X	X	X
101	RING, OIL (1.81 DIA.)					
CURRENT PRODUCTION COMPRESSORS NO LONGER USE OIL RINGS.						
(*) IDENTIFIED BY ".020" STAMPED ON CYLINDER DECK NEXT TO EACH OVER-SIZED PISTON. CHECK NEAR EACH, NOT ALL, MAY BE MARKED, ONLY 1 OR 2.						

NOTE: See "Catalog Notes" on last page for explanation of symbolism.

AIR CONDITIONING MEDIUM TEMP REFRIGERATION COMPRESSORS

06D

ITEM	PART DESCRIPTION	06DR109 6D23 2 CYL	06DR013 4 CYL	06DR316 6D43 4 CYL	06DR718 6D47 4 CYL	06DR820 6D48 4 CYL
ACCESSORY GROUP CONT'D						
146 NI	STUD	(4)NSS	(4)	(4)	(4)	(4)
147 NI	NUT, FLANGED	(8)NSS	(8)	(8)	(8)	(8)
180 NI	CYLINDER HEAD COOLING PKG	X	06DR660014	→	→	→
	INCLUDES ITEMS 181-190					
181 NI	MOTOR(1/20 H.P., 208/230-1-60)	X	HC27GB230	→	→	→
182 NI	FAN REPLACEMENT PKG	X	06DR660012	→	→	→
	INCLUDES ITEMS 183-185					
183 NI	FAN	X	LA07AA102	→	→	→
184 NI	BUSHING	X	P251-0064	→	→	→
185 NI	SET SCREW	X	AE54FR167	→	→	→
186 NI	FAN GUARD & MOTOR MTG ASSY	X	06DA401773	→	→	→
187 NI	COVER ASSY FAN GUARD	X	06DA401763	→	→	→
188 NI	ADAPTER, CONDUIT	X	HW60EZ158	→	→	→
189 NI	WASHER, 3/8 PLATE	X	(9)AU02AB242	(8)	(8)	(8)
190 NI	NUT, 3/8 HEX	X	(4)AT39AB241	(4)	(4)	(4)

NOTE: See "Catalog Notes" on last page for explanation of symbolism.

AIR CONDITIONING MEDIUM TEMP REFRIGERATION COMPRESSORS

06D

ITEM	PART DESCRIPTION	06DR228		06DR337	
		6D63 6 CYL	X X X	6D73 6 CYL	X X
OVERLOAD GROUP		X 6 CYL		6D73 6 CYL	
6	NI VOLTAGE	06DR724			
	0300 230-1-60	X			
	0400 200-3-60 XL	(2)HN69GZ306	X		
	0500 230-3-60 XL			(3)HN69GZ309	X
	1200 208/230-3-60 XL	HN69GZ306		(2)HN69GZ309	(3)HN69GZ309
	0600 400/460-3-50/60 XL	(2)HN69GZ025		(2)HN69GZ024	(2)HN69GZ301
	0100 575-3-60 XL	(2)HN69GZ053		(2)HN69GZ025	(2)HN69GZ010
	0800 220-3-50 XL	(2)HN69GZ022	X	X	(2)HN69GZ306
	1300 380-3-60 XL		X		X
	1400 208-3-60 PW	X	X		(6)HN69GZ022
	1500 230-3-60 PW	X	X		(6)HN69GZ046
	1800 230-3-50 XL	X	X		(6)HN69GZ045
	3100 575-3-60 XL	(2)HN69GZ037	X	(2)HN69GZ004	(2)HN69GZ025
	3200 208/230-3-60 XL	(2)HN69GZ214		(3)HN69GZ306	(3)HN69GZ309
	3400 220-3-50 XL	X	X		X
	3600 380-3-60 XL	(2)HN69GZ038		(2)HN69GZ010	(2)HN69GZ024
	3800 415-3-50 PW	X		(6)HN69GZ037	(6)HN69GZ004
	3900 415-3-50 XL	(2)HN69GZ038		(2)HN69GZ010	(2)HN69GZ024
7	THERMOSTAT PACKAGE (NOTE)	06DA660055			
	INCLUDES ITEMS 8A-8E				
8A	INSULATOR, THERMAL (FISH PAPER)	6D40-1141			
8B	THERMOSTAT (OPEN 160 F)	HH12HC161			
8C	SLEEVE, THERMOSTAT (FISH PAPER)	6D23-1521			
8D	WASHER (1-1/2 O. D. STEEL)	6D23-1511			
8E	SPRING, THERMOSTAT (.31 I. D.)	6D23-1531			
	NOTE: THE ABOVE THERMOSTAT PACKAGE (ITEM 7) IS USED ON PART WIND START MODELS ONLY.				
9	NI OVERLOAD SPACER PACKAGE(2PCS)	06DA660077		AS REQUIRED	AS REQUIRED
	WILL TAKE UP TO 6 OV/LDS				
	USED IN 5X6 & 6X8 TERM. BOX				
9	NI OVERLOAD SPACER PACKAGE	06DA403052		AS REQUIRED	AS REQUIRED
	WILL TAKE UP TO 4 OV/LDS				
	USED IN 6X8 TERM. BOX				
9	NI OVERLOAD SPACER PACKAGE	06DA403042		AS REQUIRED	AS REQUIRED
	WILL TAKE UP TO 2 OV/LDS				
	USED IN 6X6 TERM. BOX				
	NOTE: OVERLOAD SPACER IS USED TO MOUNT O/L'S IN TERMINAL BOX.				

NOTE: See "Catalog Notes" on last page for explanation of symbolism.

AIR CONDITIONING MEDIUM TEMP REFRIGERATION COMPRESSORS

06D

ITEM	PART DESCRIPTION	06DR724		06DR228		06DR337	
		6D63 6 CYL		X X		X X	
COMPRESSOR BODY GROUP		6D67 6 CYL		X 6 CYL		6D73 6 CYL	
NI	PAINT (SEA FOAM GREEN)	PH230K016					
25	GASKET SET (#)	6043-172					
26	HEAD,CYLINDER(CENTER)	6068-1023					
27	HEAD,CYLINDER(NON/UNL)	(2)6D40-2163		(2)			(2)
28	HEAD,CYL.(UNLOADING)HG8P	X		X			X
29	HEAD,CYL.(UNLOADING)SCOU	X		X			X
30	GASKET,CYL HEAD(CENTER)	6D68-1023					
31	GASKET,CYL HEAD(NON/UNL)	(2)6D40-1053		(2)			(2)
32	GASKET,CYL HEAD(HG8P)	X		X			X
33	GASKET,CYL HEAD(SCOU)	X		X			X
34	CAPSCREW,CYL HEAD(SIDE HEAD)	(16)AA06BR237		(16)			(16)
35	CAPSCREW,CYL HEAD(CENTER HEAD)	(8)AA06GR239		(8)			(8)
35A	STUD,FAN GUARD MOUNTING	(4)06DA503213		(4)06DA503213			(4)06DA503213
#GASKET SET 6D43-172 CONTAINS ITEMS 3F,14,30,31,38,46,51,73,80,108 & 200. ALL AVAILABLE VERSIONS OF EACH ITEM ARE INCLUDED. QUANTITIES ARE SUFFICIENT FOR 2,4 OR 6 CYLINDER.							
36	SCREEN ASSEMBLY,OIL FILTER	6D40-103					
37	PLUG,OIL BY-PASS (5/8-18X1/4NPT)	5F20-1131					
38	GASKET,OIL BY-PASS PLUG(5/8)	AU51YA011					
39	TUBE,OIL SUCTION	6D68-2153		6D75-2153			
40	VALVE ASSEMBLY,OIL RELIEF INCLUDES ITEM 41	6D23-522					
41	NUT,COMPRESSION(1/2-20)	X		X			X
42	SIGHTGLASS ASSEMBLY(1 1/2-18)	5F20-152					
	INCLUDES ITEM 43						
43	GASKET SIGHTGLASS	5F20-1631					
42B	ADAPTOR(1 1/2-18 X 1 1/8 ODS)	30HH401051					
44	KIT,STATOR LOCKING	06DA660102					
45	COVER,BOTTOM	6D68-1274					
46	GASKET,BOTTOM COVER	6D68-1043					
47	CAPSCREW,BOTTOM PLATE	(22)AA06BR235		(22)			(22)
48	FOOT,COMPRESSOR(MOTOR END)	X		X			X
49	CAPSCREW,COMPRESSOR FOOT	(2)AA06BR230		(2)			(2)
49A	WASHER,EVERLOCK	(2)AU27AR241		(2)			(2)
50	COVER,MOTOR END(2 BOLT VALVE)	6D48-1024		X			X
50	COVER,MOTOR END(4 BOLT VALVE)	06EA502224					
51	GASKET,MOTOR END COVER	6F25-1013					(2)
52	CAPSCREW,MTR.END COVER(1 1/4)	(18)AA06GR262		(18)			(18)
52	CAPSCREW,MTR.END COVER(3 1/2)	(18)AA06GR271		(18)			(18)
53	STRAINER,SUCTION(MESH CUP)	06DA402133					
53	STRAINER,SUCTION (FLAT TYPE)	6D48-303		X			X
FLAT TYPE STRAINER USED ONLY ON 2 BOLT MOTOR END SUCTION VALVE. MESH CUP STRAINER USED ONLY ON 4 BOLT MOTOR END SUCTION VALVE.							
54	PLATE,BAFFLE(OLDER UNITS ONLY)	X		X			X
55	ROLL PIN(STATOR TO CRANKCASE)	AX14CA135					
56	VALVE ASSEMBLY,CHECK	6D40-162					
57	PLUG,PIPE(1/4" HEX HEAD)	(3)CA63AA051		(3)			(3)
58	VALVE ASSEMBLY,LOW PRESS.CONN.	06DA403844					
59	CAP,VALVE(7/16-20)	DD19CA061					

NOTE: See "Catalog Notes" on last page for explanation of symbolism.

AIR CONDITIONING MEDIUM TEMP REFRIGERATION COMPRESSORS

06D

ITEM	PART DESCRIPTION	06DR724 6D63 6 CYL 6D67 6 CYL	06DR228 X X X 6 CYL	06DR337 X X 6D73 6 CYL
DRIVE TRAIN GROUP CONT'D				
90 NI	PISTON & PIN PKG. (CONTOURED TOP) INCLUDES ITEMS 91-93	(6)06DR660027	(6)06DR660029	(6)06DR660030
91	PISTON			
92	PIN, PISTON	NSS	→	→
93	RETAINING RING, PISTON PIN	NSS	→	→
90 NI	PISTON & PIN PKG. (REFRIG.) * (.020 OVERSIZED) (CONTOURED TOP) INCLUDES ITEMS 91-93	(2)6D43-1651 06DR660035	(2) 06DR660037	(2) 06DR660038
91	PISTON			
92	PIN, PISTON	NSS	→	→
93	RETAINING RING, PISTON PIN	NSS	→	→
90 NI	PISTON & PIN PKG * (.020 OVERSIZED) 2.020 BORE (FLAT TOP) INCLUDES ITEMS 91-93	(2)6D43-1651 06DA660066	(2) 06DA660071	(2) 06DA660084
91	PISTON			
92	PIN, PISTON	NSS	→	→
93	RETAINING RING, PISTON PIN	NSS	→	→
90 NI	PISTON & PIN PKG * (.020 OVERSIZED) 2.020 BORE (FLAT TOP) INCLUDES ITEMS 91-93	(2)6D43-1651	(2)	(2)
(*) DETERMINE QUANTITY REQUIRED BY NUMBER OF CYLINDERS WHICH HAVE ".020" STAMPED ON CYLINDER DECK NEAR PISTON. NOT ALL CYLINDERS MAY BE OVERSIZED, ONLY 1, 2 OR 3 ARE POSSIBLE.				
96	ECCENTRIC STRAP	(6)06D68-1442	X	X
96 NI	CONNECTION ROD & CAP ASSY. INCLUDES ITEMS 97-99	X	(6)06DA660042	(6)06DA660042
97	CONNECTION ROD & CAP	X		
98	CAPSCREW, SELF LOCK	X	NSS	→
99	PIN, DOWEL	X	(2)06DA502763	(2)06DA502763
96 NI	CONN. ROD & CAP ASSY (-.010) INCLUDES ITEMS 97-99	X	(2)7J1-6032 (4)06DA660047	(2)7J1-6032 (4)06DA660047
97	CONNECTION ROD & CAP	X		
98	CAPSCREW, SELF LOCK	X	NSS	→
99	PIN, DOWEL	X	(2)06DA502763	(2)06DA502763
100	RING, COMPRESSION (STANDARD)	X	(2)7J1-6032	(2)7J1-6032
100	RING, COMPRESSION (2.00 DIA) PKG OF 12 RINGS (.020 OVERSIZE)	(6)AU50CP355 06DA660069	(6) →	(6) →
100	RING, COMPRESSION (1.81 DIA)	X		
101	RING, OIL (20.00 DIA) NOTE	(6)AU50CP245	X	X
101	RING, OIL (2.00 DIA) PKG OF 12 RINGS (.020 OVERSIZE) CURRENT PRODUCTION COMPRESSORS NO LONGER USE OIL RINGS.	06DA660070	(6) →	(6) →

NOTE: See "Catalog Notes" on last page for explanation of symbolism.

AIR CONDITIONING MEDIUM TEMP REFRIGERATION COMPRESSORS

06D

ITEM	PART DESCRIPTION	06DR724 6D63 6 CYL 6D67 6 CYL	06DR228 X X X 6 CYL	06DR337 X X 6D73 6 CYL
ACCESSORY GROUP CONT'D				
180 NI	CYL HEAD COOLING PKG	06DR660014	→	→
	INCLUDES ITEMS 181—190			
181	MOTOR(1/2 HP, 208/230-3-60)	HC27GB230	→	→
182 NI	FAN REPLACEMENT PKG	06DR660012	→	→
	INCLUDES ITEMS 183—185			
183	FAN			
184 NI	BUSHING	LA01AA102	→	→
185 NI	SET SCREW	P251-0064	→	→
186	FAN GUARD & MOTOR MTG ASSY	AES4FR167	→	→
187	COVER ASSY, FAN GUARD	06DA401773	→	→
188 NI	ADAPTER, CONDUIT	06DA401763	→	→
189 NI	WASHER, 3/8 PLATE	HW60EZ1563	→	→
190 NI	NUT, 3/8 HEX	(8)AU02AB242 (4)AT39AB241	(8) (4)	(8) (4)

NOTE: See "Catalog Notes" on last page for explanation of symbolism.